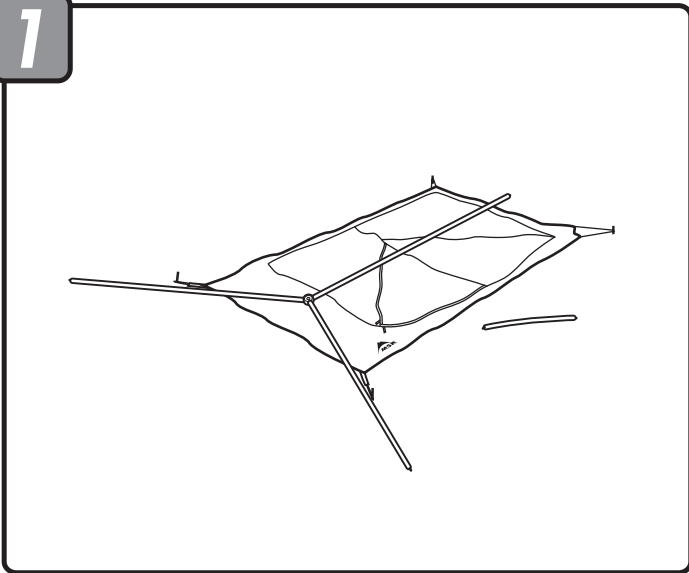




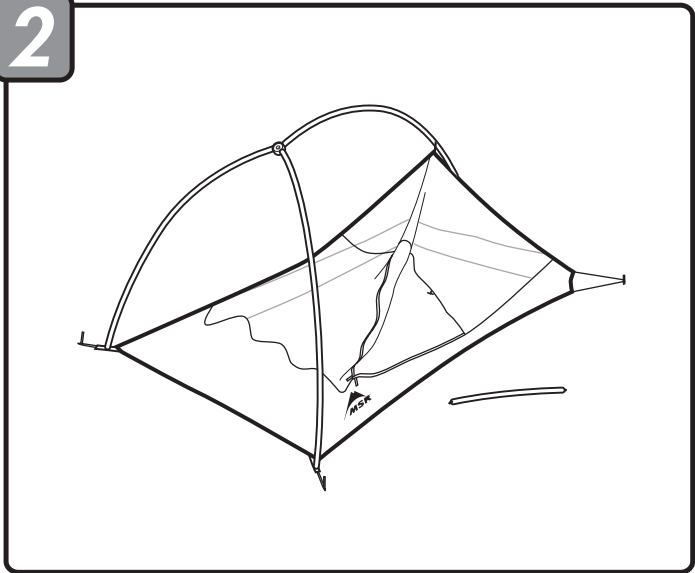
FREELITE™ 2

Assembly Instructions

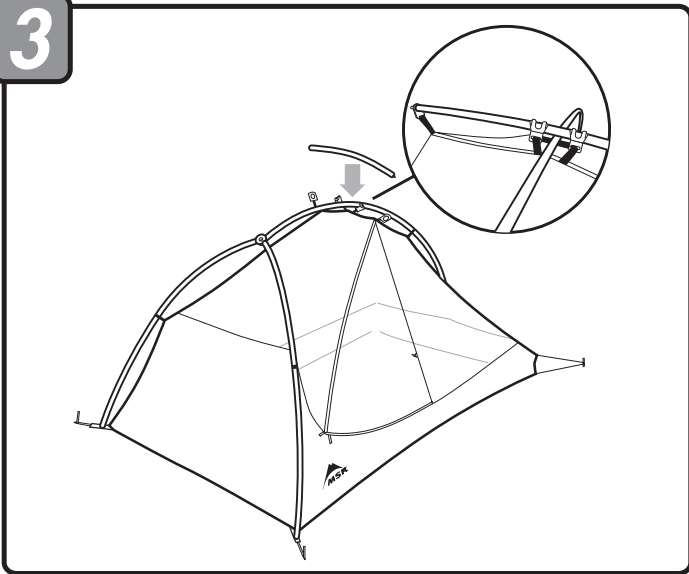
1



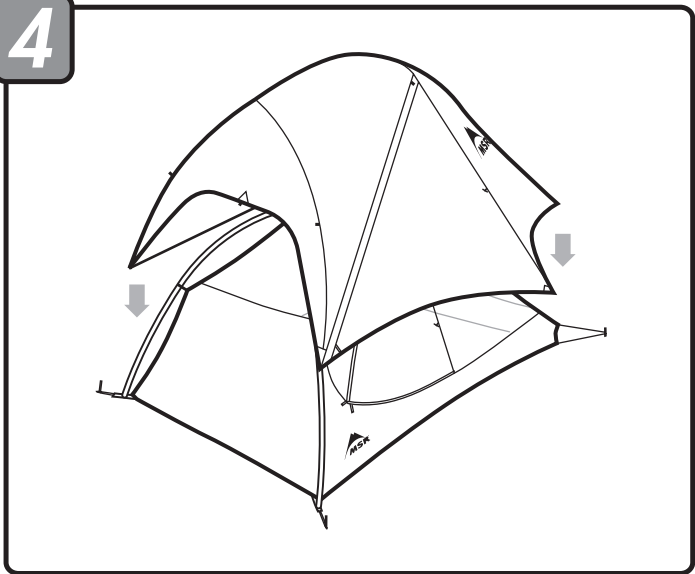
2



3



4



MOUNTAIN SAFETY RESEARCH®

© 2021 Cascade Designs, Inc.
4000 First Avenue South
Seattle, WA 98134 USA
1-800-531-9531 | 1-206-505-9500